

⚠ WARNING: BEFORE STARTING, MAKE SURE THE FIREARM IS UNLOADED, THE CHAMBER IS EMPTY, AND THE SAFETY ENGAGED

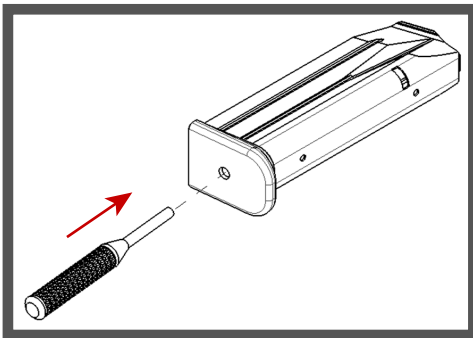
⚠ CAUTION: PLEASE READ ALL INSTRUCTIONS BEFORE PROCEEDING.

⚠ WARNING: OBSERVE SAFE FIREARM HANDLING PRACTICES AT ALL TIMES. FAILURE TO DO SO MAY RESULT IN SERIOUS INJURY OR DEATH.  
BUL ARMORY SHALL NOT BE RESPONSIBLE FOR INJURY, DEATH OR PROPERTY  
DAMAGE RESULTING FROM FAULTY INSTALLATION, MISUSE, ILLEGAL USE, OR MODIFICATION OF THIS PRODUCT.



# BASE PADS REMOVAL GUIDE

## POLYMER BASEPAD DISASSEMBLY



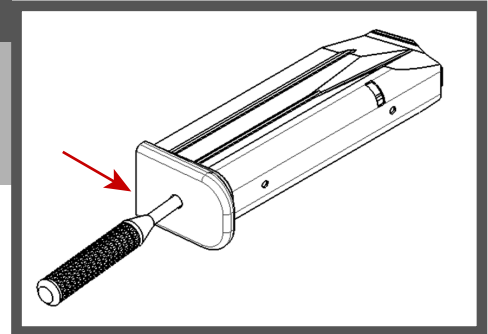
### STEP 1

Using a pin, punch depress the locking plate pin

### STEP 2

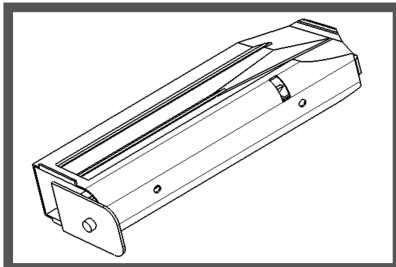
Push the base pad forward while the locking plate is depressed.

⚠ COMPONENTS UNDER SPRING PRESSURE MAY EJECT FORCEFULLY AND COULD CAUSE INJURY.

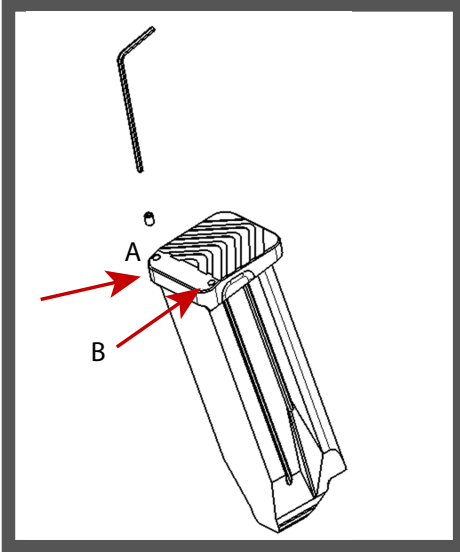


### STEP 3

Remove the magazine locking plate.



## ALUMINIUM BASEPAD WITH SCREWS DISASSEMBLY



### STEP 1

Remove the M3 securing screw with a 1.5 mm hex wrench.

\*Hole A for 126/140mm FS magazines.

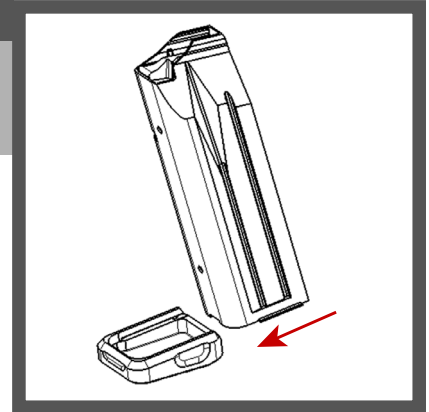
\*Hole B for 110MM Compact magazines.

\*NOTE: A dab of loctite 242 is recommended to be applied to the screw when reinstalling the screw.

### STEP 2

Slide the base pad forward to remove it.

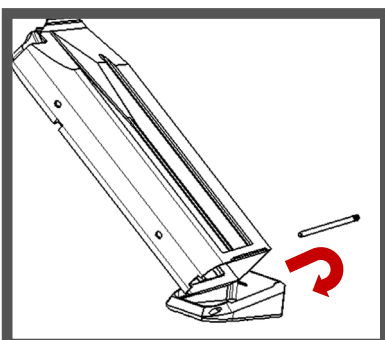
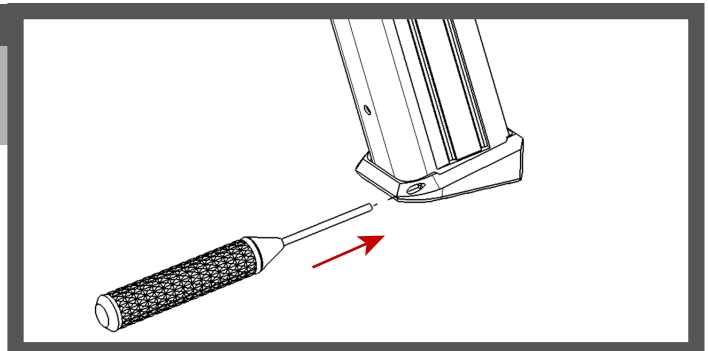
**⚠ COMPONENTS UNDER SPRING PRESSURE MAY EJECT FORCEFULLY AND COULD CAUSE INJURY.**



## ALUMINIUM WITH PIN BASE PAD DISASSEMBLY

### STEP 1

Remove the magazine base pad locking pin using a 2 mm pin punch. A hammer tap will be needed



### STEP 2

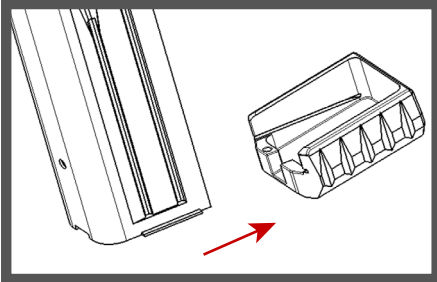
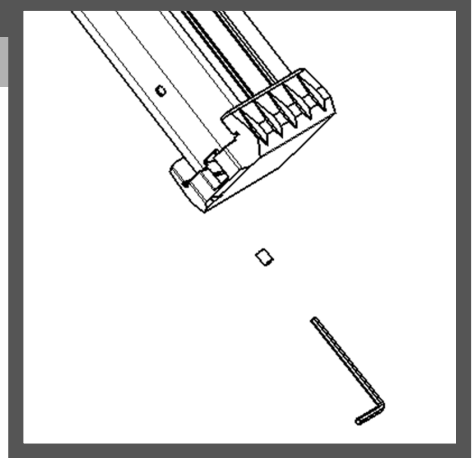
After removing the pin, remove the base pad.

**COMPONENTS UNDER SPRING PRESSURE MAY EJECT FORCEFULLY AND COULD CAUSE INJURY.**

## ALUMINIUM BASEPAD FOR 170MM SAS2 MAGAZINES

### STEP 1

Remove the 4-40 screw with a 1.3 mm hex wrench.



### STEP 2

Remove the base pad extension by sliding it towards the rear of the mag.

COMPONENTS UNDER SPRING PRESSURE MAY EJECT FORCEFULLY AND COULD CAUSE INJURY.

\*NOTE: When assembling the magazine base pad extension adjust the locking screw position about 2mm over the ledge of the base pad.

\*\*NOTE: A dab of loctite 242 is recommended to be applied to the screw.

