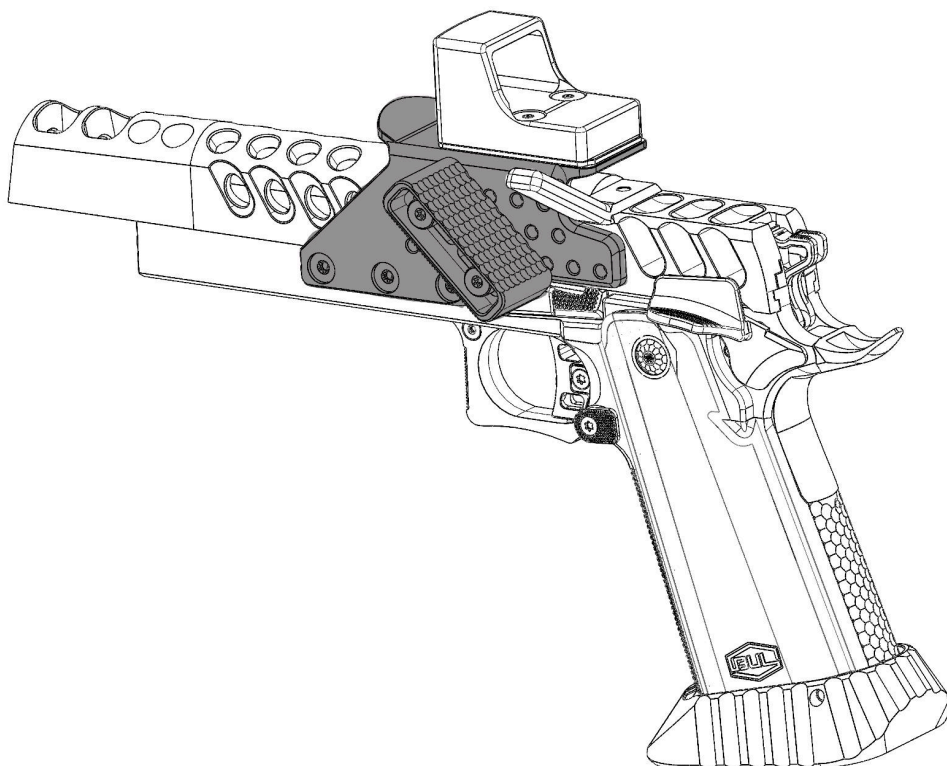




PYRUS™ Optic Mount

Assembly & Installation Manual

Optic Mount with Integrated Thumbrest for Double Stack 1911 Platforms



Safety First

FIREARM SAFETY IS YOUR RESPONSIBILITY. Before you begin, confirm that the firearm is **unloaded**, the **magazine is removed**, the **chamber is empty**, and the **safety is engaged**. Keep all ammunition in a separate room during the assembly process. Please make sure to conduct all firearm related activities in a safe environment for your safety and for that of those around you.

CAUTION: PLEASE READ ALL INSTRUCTIONS BEFORE PROCEEDING.

Always observe safe firearm handling practices. Handle all firearms responsibly and in accordance with applicable laws and safety guidelines.

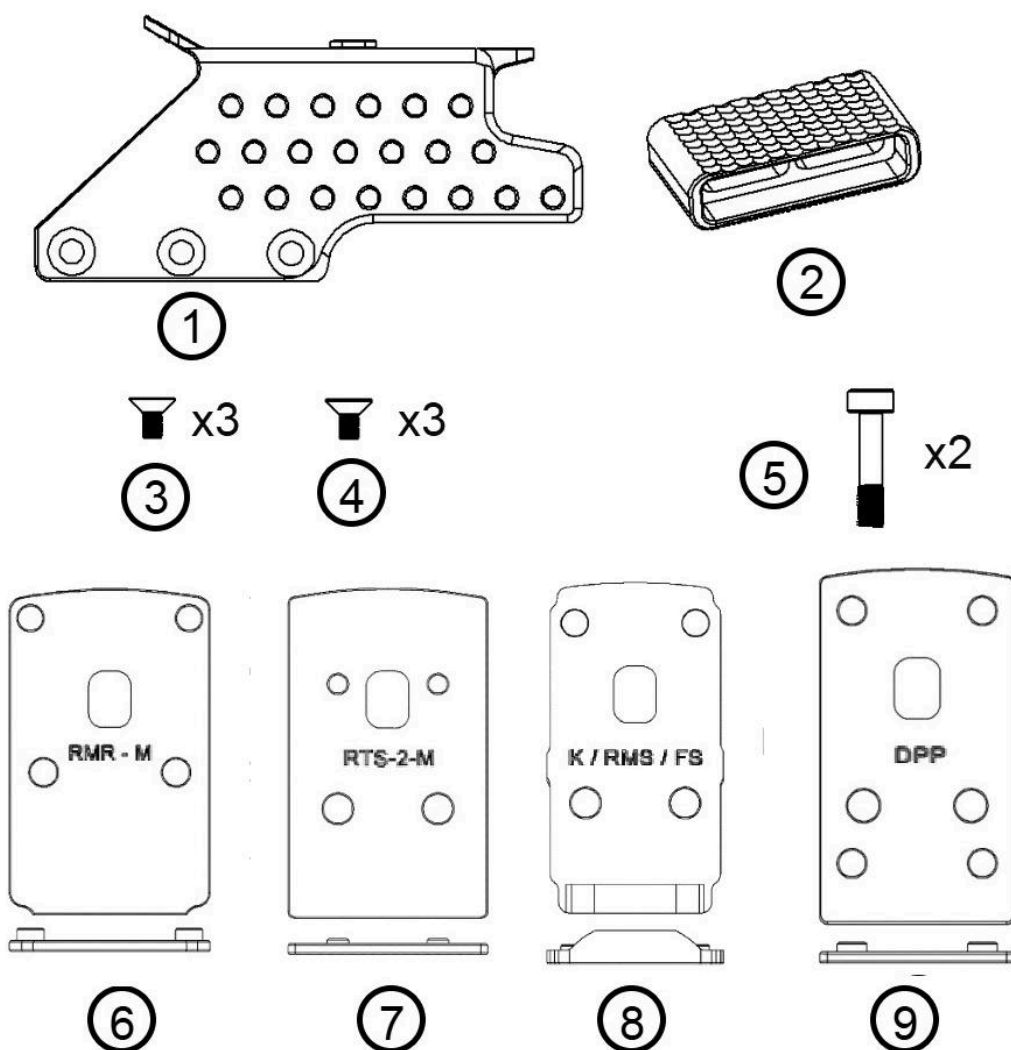
WARNING: Failure to follow safe practices may result in serious injury or death.

BUL ARMORY ASSUMES NO RESPONSIBILITY for injury, death, or property damage that results from the faulty installation, misuse, illegal use, or modification of this product.

1. Package Contents:

Verify that your kit includes the following components before proceeding:

FIG.	QTY	ITEM	Hardware Specification
1	1	PYRUS™ Optic Mount	
2	1	PYRUS™ Thumbrest	
3	3	Frame Mounting Screws - SAS 2	M4 x 7
4	3	Frame Mounting Screws	5-40 x 7
5	2	Thumbrest Mounting Screws	M4 x 20
6	1	RMR - Adapter Plate	
7	1	RTS2 - Optic Adapter Plate	
8	1	Holosun K / RMS - C - Adapter plate	
9	1	DPP - Optic Adapter Plate	



2. Required Tools

- **Torque Wrench:** Calibrated in In-lb or Nm
- **Drivers:** T10 and T15 Torx bits
- **Cleaning:** Degreaser
- **Threadlocker:** Medium Strength (Blue 243) and High Strength (Red 272/270)

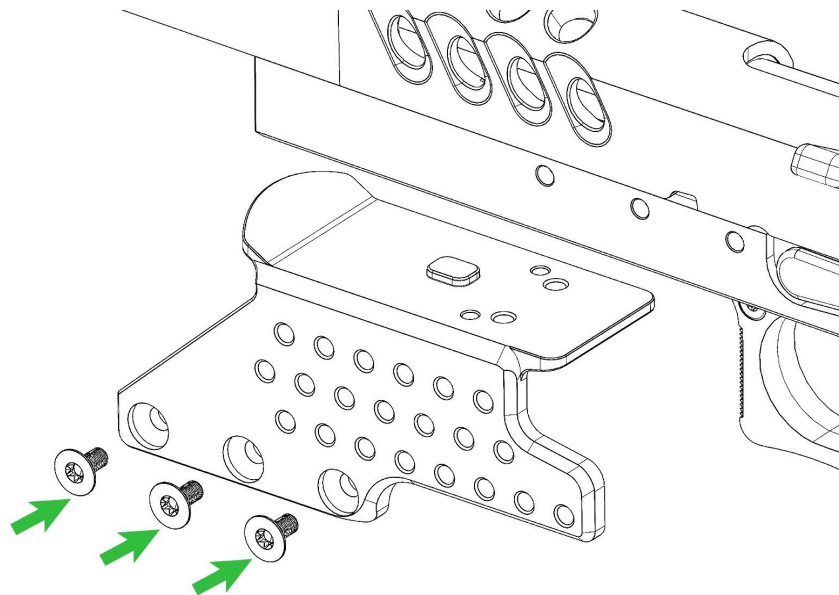
3. Installation Steps

Step 1: Surface Preparation

1. Thoroughly clean the frame mounting holes and screw threads with degreaser.
2. **Note:** Any residual oil will prevent the threadlocker from bonding, leading to mount shift under recoil.

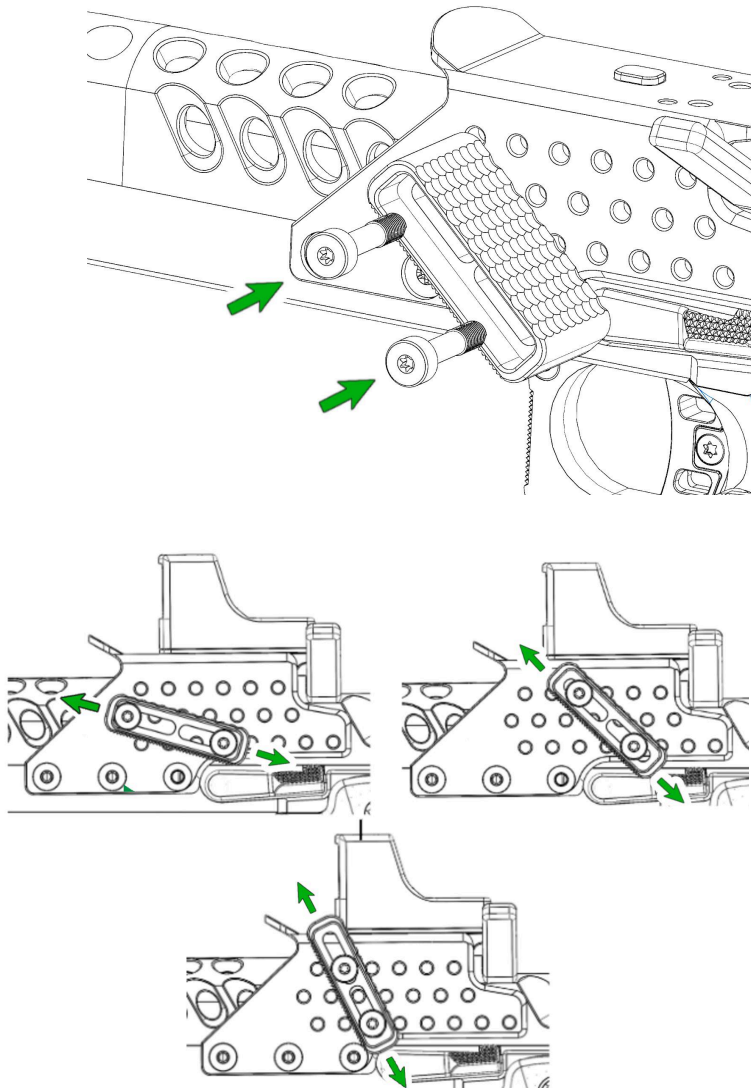
Step 2: Mounting the Optic Mount to the Frame

1. Align the **PYRUS™ Mount** (FIG.1) with the mounting holes on the left side of the frame.
2. Make sure you are using the correct screws for your frame. For Bul Armory SAS 2 pistols use **M4 x 7** screws (FIG.3).
3. Apply a small drop of **High Strength Threadlocker** (Red 272 / Green 270) to the frame screws.
4. Thread screws by hand to ensure no cross-threading occurs.
5. **Torque Specification:** Tighten the **M4 x 7** screws (FIG.3). screws in a cross-pattern to **3 Nm (approx. 26.5 in-lbs)**.

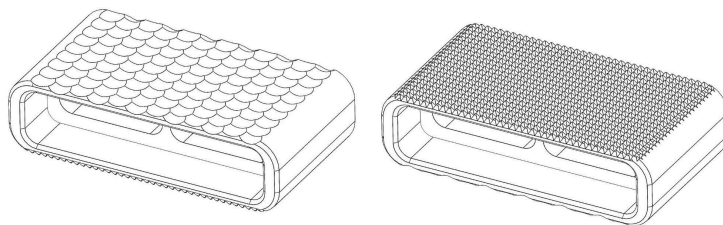


Step 3: Thumbrest Module Attachment

1. Position the **PYRUS™ Thumbrest Module** (FIG. 2) at your preferred ergonomic position.



*NOTE: THE **PYRUS™ Thumbrest Module** has two sides for different textures.

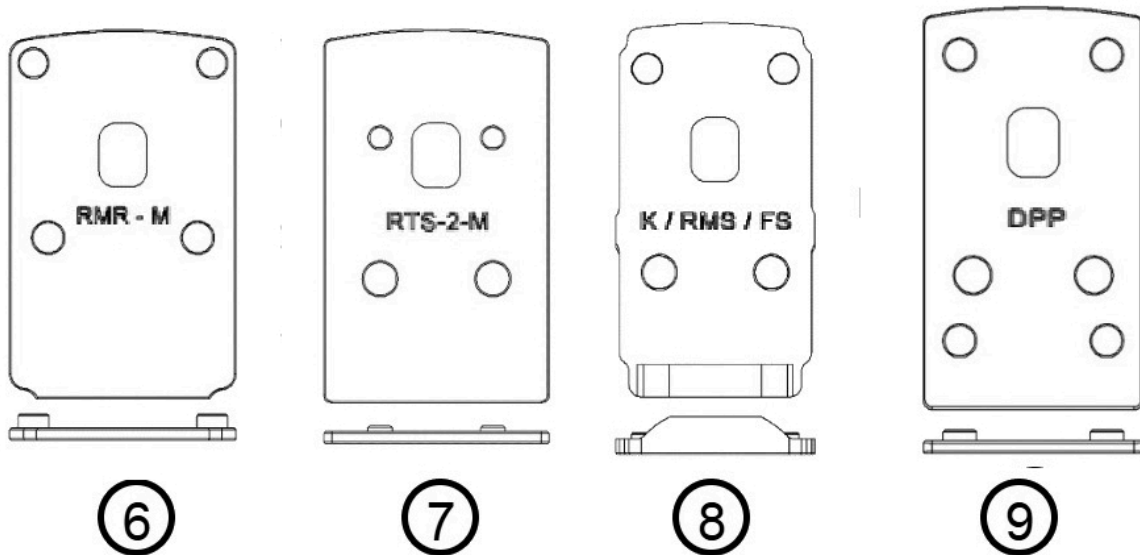


2. **Torque Specification:** Tighten the **M4 x 20** screws (FIG.5). screw to **2 Nm** (approx. 17.7 in-lbs).
3. **Clearance Check:** Make sure the **PYRUS™ Thumbrest Module** does not interfere with the slide, charging handle, or slide stop lever.

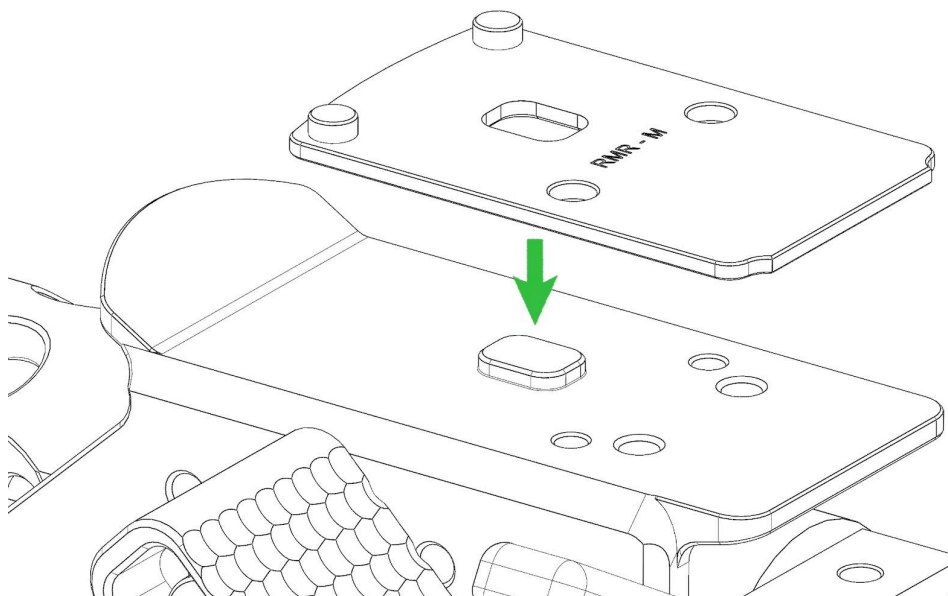
Step 4: Optic Installation

1. Select the correct mounting plate based on the footprint of your optic:

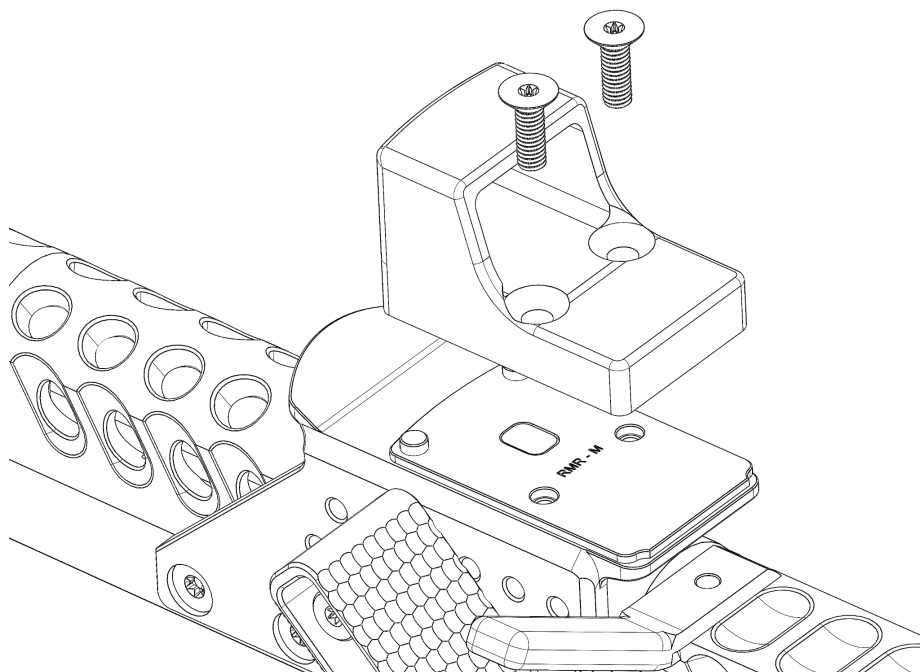
- FIG 6: Trijicon RMR.
- FIG 7: RTS2.
- FIG 8: Holosun K / Shield RMS / C.
- FIG 9: Delta Point Pro.



2. Make sure the contact area is clean of dirt oil and debris. Position the adapter plate on the mount, aligning the screw holes and the stabilising post.



3. Position the optic onto the adapter plate, ensuring correct alignment with both the posts and the optic body.



4. **Torque Specification:** Tighten the optic screws to **2NM (approx. 17.7 in-lbs)**, or per optic manufacturer's manual.

5. Post-Installation Check

- **Slide Clearance:** Manually cycle the slide (without a magazine) to ensure there is no contact between the slide and the mount.
- **Rigidity:** Ensure there is zero "play" or wiggle in the mount or thumbrest.

6. Maintenance

- Check screw tightness after the first **50 rounds**, then every **500 rounds** thereafter.
- Avoid using harsh chemicals on the mount finish.

7. Screw and Adapter Compatibility

Manufacturer	Model	Screw Thread	Screw Length	Head Type	Plate
Holosun	508T	6-32	9.5	T10	RMR-M
	507 Comp	6-32	9.5	T10	RMR-M
	508C	6-32	9.5	T10	RMR-M
	EPS	M4	11.5	T10	K / RMS - C
	EPS Carry	M4	11.5	T10	K / RMS - C
	407-507-K	M4	11.5	T10	K / RMS - C
	SCS - 320	M4	11.5	T10	DPP
Shield	RMS	M4	12	H2.5	K / RMS - C
	RMS-C	M4	12	H2.5	K / RMS - C
Sig Sauer	Romeo - X Compact	M4	10	T10	K / RMS - C
	Romeo - X PRO	M4	10	T10	DPP
Leupold	Delta Point Pro	M4	17.6	T10	DPP
Trijicon	RMR	6-32	12	T10	RMR-M
	SRO	6-32	12	T10	RMR-M
C-more	RTS - 2	M4	11.5	H2.5	RTS-M